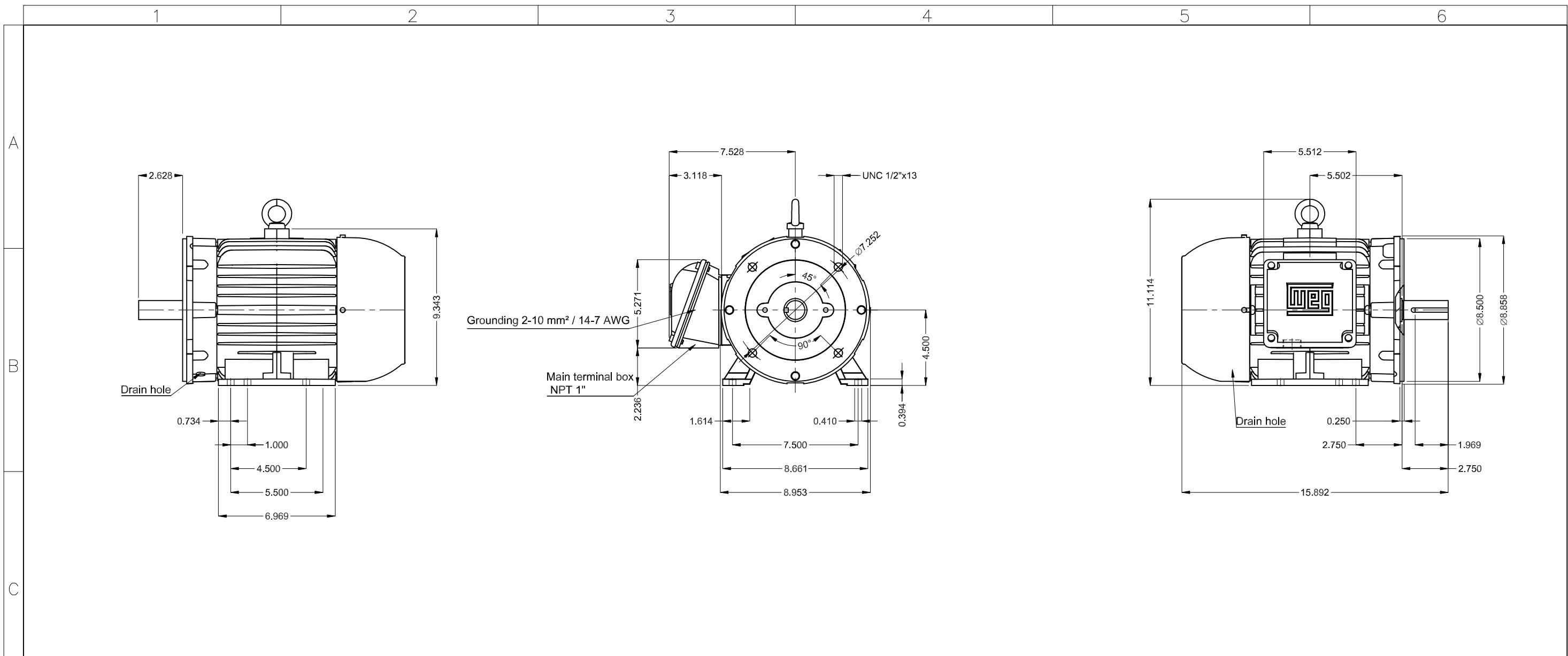


DATA SHEET

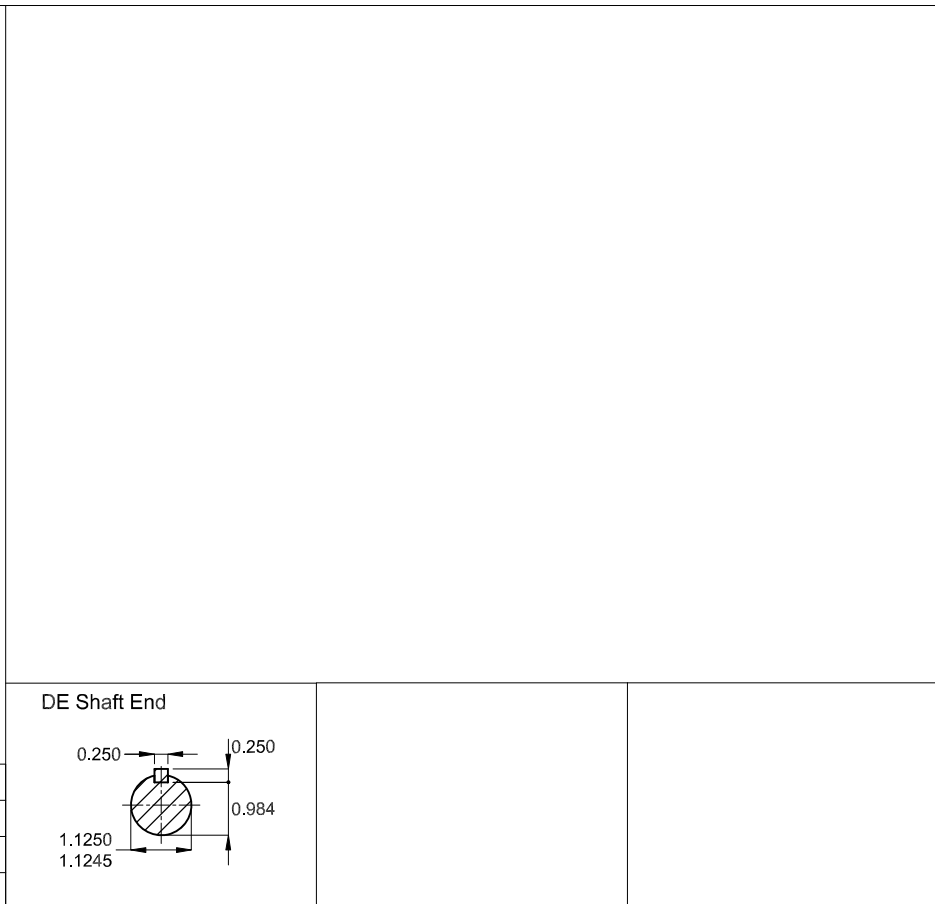


Three Phase Induction Motor - Squirrel Cage

Customer :						
Product line		: W22 NEMA Premium Efficiency Three-Phase		Product code :		12474535
				Catalog # :		00518ET3V184TC-W22
Frame : 182/4TC Output : 5 HP (3.7 kW) Poles : 4 Frequency : 60 Hz Rated voltage : 200/400 V Rated current : 14.9/7.46 A L. R. Amperes : 112/56.0 A LRC : 7.5x(Code J) No load current : 6.67/3.34 A Rated speed : 1750 rpm Slip : 2.78 % Rated torque : 15.0 ft.lb Locked rotor torque : 229 % Breakdown torque : 290 % Insulation class : F Service factor : 1.25 Moment of inertia (J) : 0.4003 sq.ft.lb Design : B			Locked rotor time : 27s (cold) 15s (hot) Temperature rise : 80 K Duty cycle : Cont.(S1) Ambient temperature : -20°C to +40°C Altitude : 1000 m.a.s.l. Protection degree : IP55 Cooling method : IC411 - TEFC Mounting : F-1 Rotation ¹ : Both (CW and CCW) Noise level ² : 56.0 dB(A) Starting method : Direct On Line Approx. weight ³ : 101 lb			
Output		25%	50%	75%	100%	Foundation loads
Efficiency (%)		88.2	88.5	89.5	89.5	Max. traction : 227 lb
Power Factor		0.38	0.62	0.74	0.80	Max. compression : 329 lb
Losses at normative operating points (speed;torque), in percentage of rated output power						
P1 (0,9;1,0)	P2 (0,5;1,0)	P3 (0,25;1,0)	P4 (0,9;0,5)	P5 (0,5;0,5)	P6 (0,5;0,25)	P7 (0,25;0,25)
11.2	9.4	8.7	5.3	3.7	2.4	1.7
			<u>Drive end</u>		<u>Non drive end</u>	
Bearing type :			6207 ZZ		6206 ZZ	
Sealing :			V'Ring		V'Ring	
Lubrication interval :			-		-	
Lubricant amount :			-		-	
Lubricant type :			Mobil Polyrex EM			
Notes						
This revision replaces and cancel the previous one, which must be eliminated. (1) Looking the motor from the shaft end. (2) Measured at 1m and with tolerance of +3dB(A). (3) Approximate weight subject to changes after manufacturing process. (4) At 100% of full load.				These are average values based on tests with sinusoidal power supply, subject to the tolerances stipulated in NEMA MG-1.		
Rev.	Changes Summary			Performed	Checked	Date
Performed by						
Checked by					Page	Revision
Date	24/02/2025				1 / 1	



Bearing cap
Color RAL 5009
Painting plan 207A
Mounting B34D



5 HP 04 Poles 60 Hz						A
Scale 1 : 6						
HYBRISUSER						00
ECM	LOC	SUMMARY OF MODIFICATIONS	EXECUTED	CHECKED	RELEASED	DATE VER
EXECUTED	HYBRISUSER	THREE PH. MOTOR W22 NEMA PREM. EFF.				
CHECKED		FRAME 182/4TC IP55 TEFC				
RELEASED						
REL. DATE						
			PREVIEW		WDD 00	
			SHEET 1 / 1			